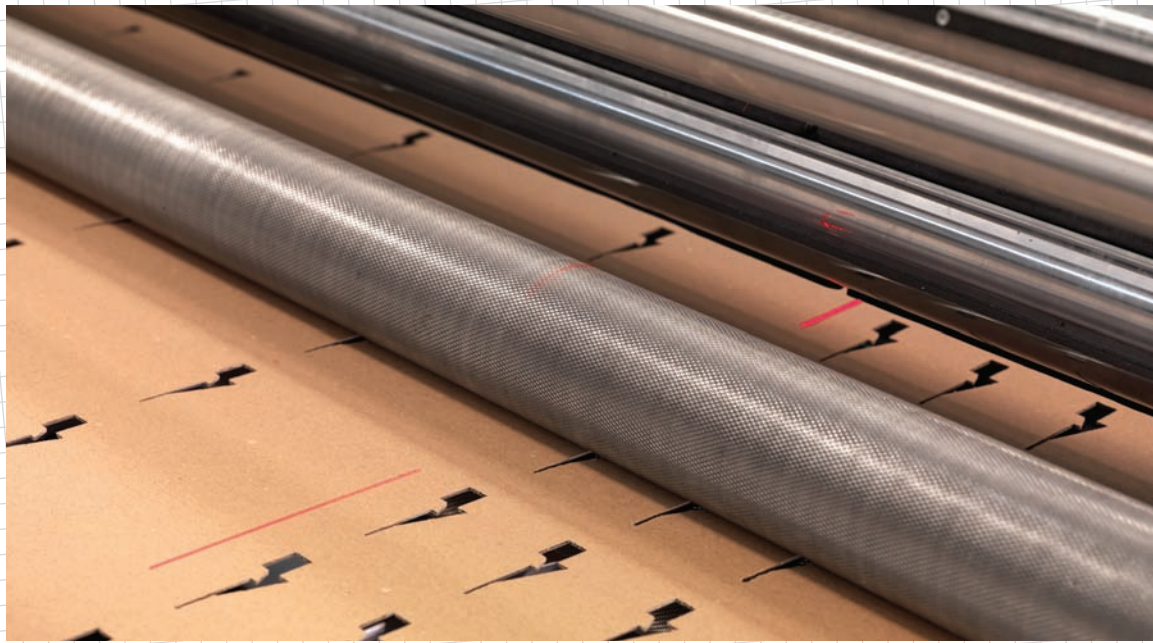


- researching
- developing
- upgrading

## SOL-COMBI

### Pads and Die-Cut Partitions



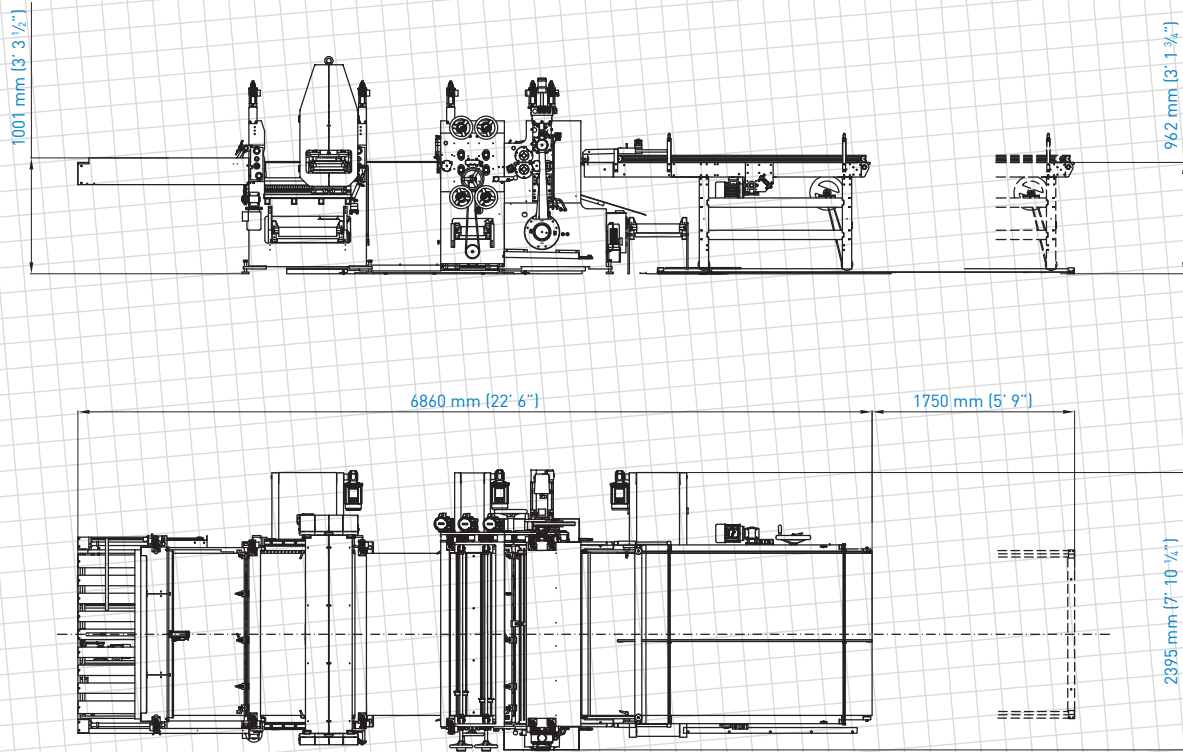
Designed for accurate, high volume production of "V lock" / "Euro lock" partitions, pads, stripes, fittings and packing reinforcement for boxes, in corrugated and solid board.

**SOLEMA SOL-COMBI** is a multi-purpose machine able to perform eight different operations in a single pass: board feeding, timing, partition die-cutting, creasing, scoring, slitting, crosscutting and shingling of finished pieces on the collecting table.

A large range of different die-cutting tools allows the

customers to customize partitions with shapes basing on their preferences.

## SOL-COMBI



## TECHNICAL DETAILS

### INPUT BOARD WIDTH

- min. 230 mm (9 1/8") — max. 1400 mm (55 1/8")

### INPUT BOARD LENGTH

- min. 780 mm (30 45/64") — max. 2700 mm (106 1/64")  
feeding with sheets
- unlimited (single face)  
feeding from reel

### INPUT BOARD THICKNESS

- min. 0.8 mm (1/32") — max. 8 mm (5/16")  
corrugated board
- min. 0.5 mm (1/64") — max. 1.4 mm (1/16")  
solid board

### DISTANCE BETWEEN CUTS

- min. 25 mm (63/64")

### DISTANCE BETWEEN SCORES

- min. 35 mm (1 3/8") less as possible working on 2 shaft groups; shafts adjustable in height ± 15 mm (1 1/2")

### DISTANCE BETWEEN CREASES

- min. 35 mm (1 3/8") less as possible working on 2 shaft groups; shafts adjustable in height ± 15 mm (1 1/2")

### DISTANCE BETWEEN SLITTING

- min. 35 mm (1 3/8")

### CROSSCUTTING

- min. 30 mm (1 3/16") — max. 1600 mm (62 63/64")

### PARTITIONS HEIGHT

- max. 420 mm (16 1/32")
- min. 38 mm (1 1/2") with "V-LOCK" die-cut
- min. 67 mm (2 41/64") with "EURO-LOCK" die-cut

### MACHINE THROUGHPUT

- up to 170 cuts/minute  
depending on size

### CROSS DIRECTION / IN LINE DIRECTION TOLERANCE

- ± 0.5 mm (1/64")

### ELECTRICAL REQUIREMENTS

- electrical power supply: 3 × 400 V PE 50 Hz
- controls voltage: 24 V DC

### PNEUMATIC SYSTEM

- pressure: 6 bar

### OPTIONAL DEVICES AVAILABLE

- air shafts easier rotary knives set-up
- laser measuring tools positioning

### EXTERNAL DEVICES AVAILABLE

- CB-FEED (automatic feeder from pile)
- SB-FEED (automatic feeder from pile)
- B-PAL (palletizer)
- QUADRO (stacker)

→ PERFORMANCES DEPEND ON PRODUCT'S SIZES, PRODUCT'S QUALITY AND OPERATING CONDITIONS



Via Carducci, 18 — 24066 Pedrengo — Bergamo • Italy  
Tel. +39 035 654111 • Fax +39 035 654112  
e-mail: info@solema-boards.com • web: www.solema-boards.com

FOR NORTH AMERICA

### Solema USA inc

315 Glenn Street - P.O. Box 472  
Crawfordsville - IN - 47933  
USA

info@solemausa.com  
tel. 765 361 0806 / fax 765 361 0989